

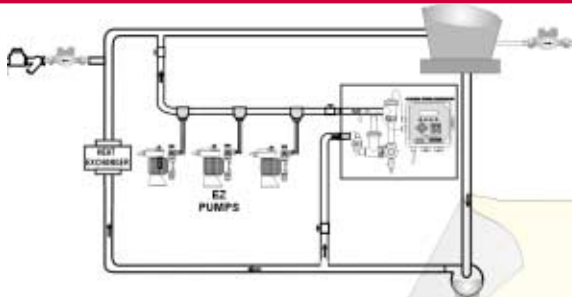
WebAlert™

POWERED BY
SHOULDER Tap®



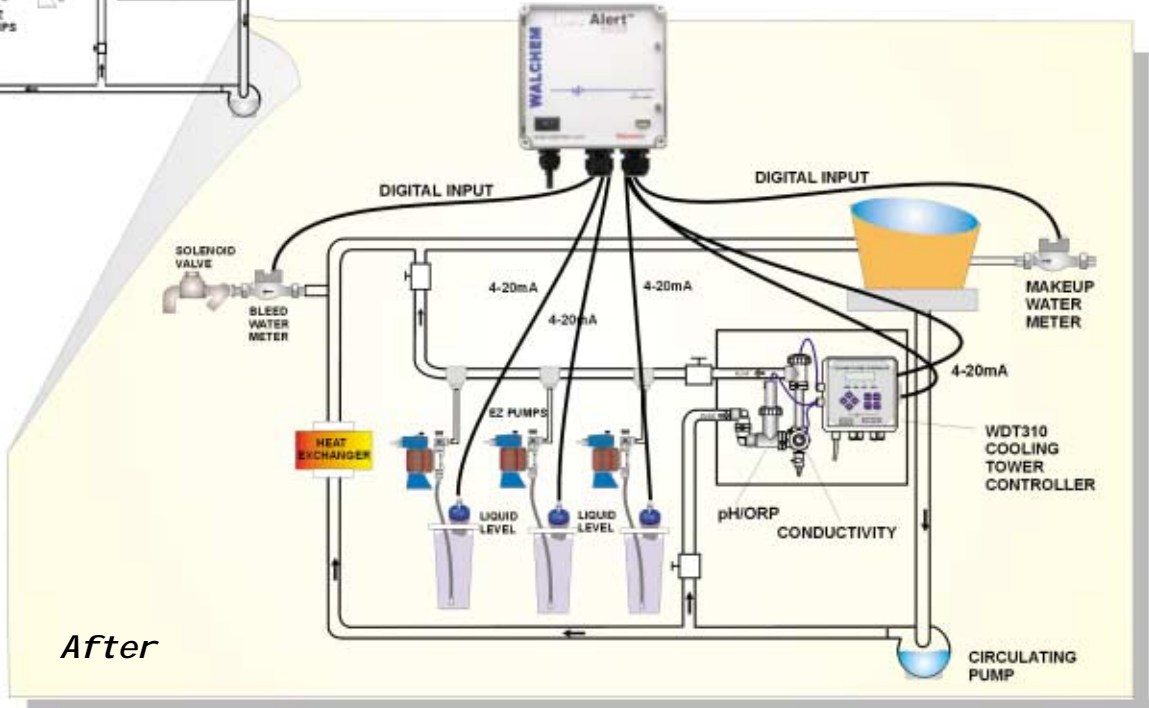
Web-Based
Remote Monitoring and
Data Logging

W A L C H E M

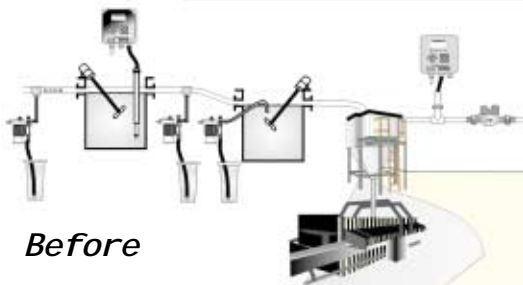


Before

Cooling Tower Application

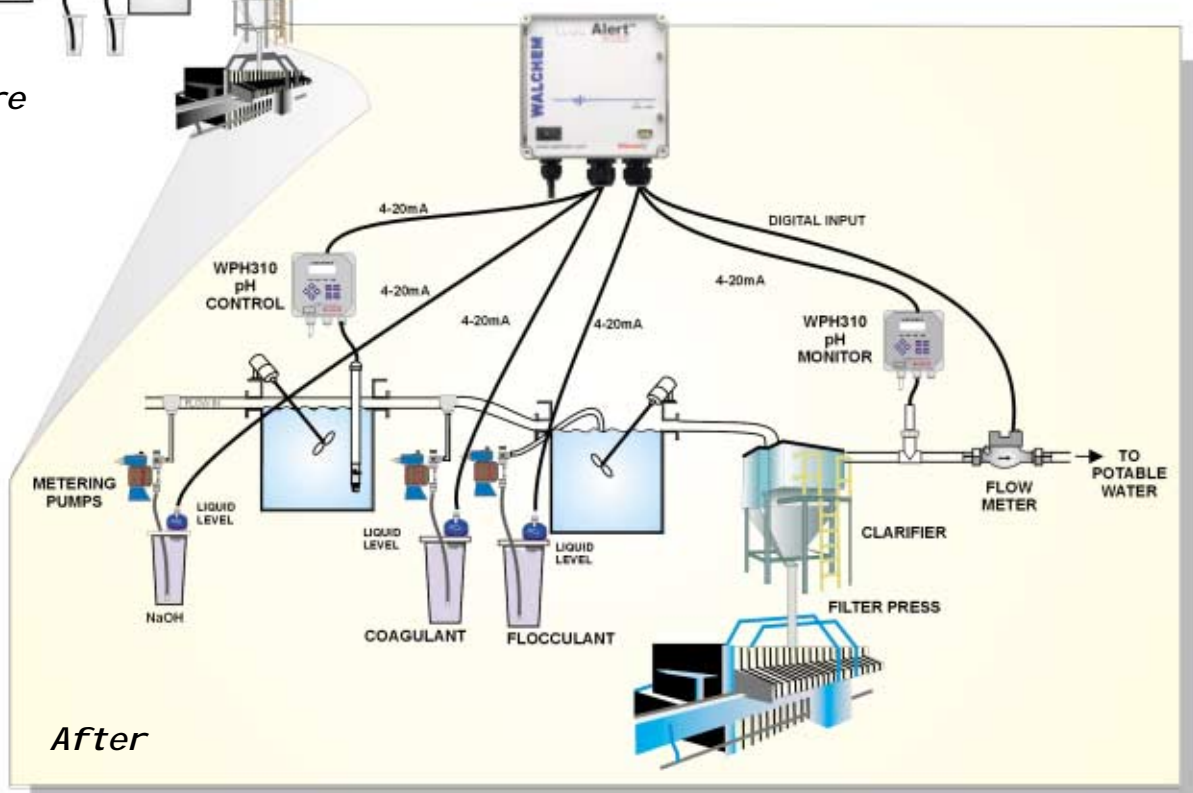


After



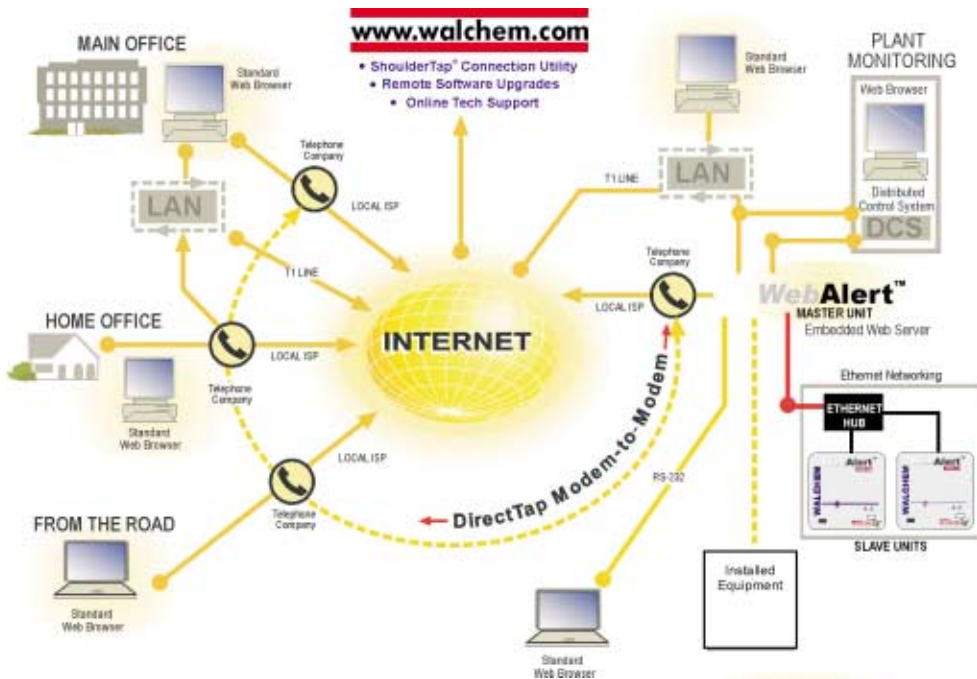
Before

Waste Water Neutralization Application



After

With an embedded web server, **WebAlert™** utilizes standard TCP/IP Internet communications. Remote communications can be established with WebAlert™ via the Internet or on a phone line with direct modem-to-modem capability. RS232 and Ethernet options allow easy on-site access for plant personnel and system operators. Multiple users can access the monitor simultaneously. A graduated password protection system allows users varied degrees of access from 'view only' to full system configurations. In addition, **WebAlert™** delivers a range of user-friendly information reporting tools, including email notifications for datalogs, alarms and system summaries.



Walchem's Ethernet Networking allows you to leverage the power of the WebAlert communications abilities. By using the Local Area Network (LAN) or by connecting the products together via Ethernet - you can access all the controllers on the network from a single phone line. It's simple. The Master controller requires the Ethernet Networking "Master" capability. Utilizing a Master-Slave type relationship - one controller is configured to be the Master or window to all the other units (Slaves) on the network.

RS-232 Direct Serial

For local monitoring and reconfiguration of your **WebAlert™** via LapTop or dedicated on-site PC.



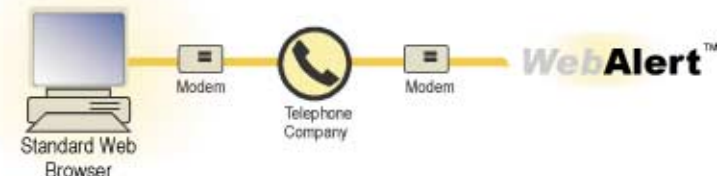
ShoulderTap® Internet Communications

For monitoring and reconfiguration of your **WebAlert™** remotely via the Internet (requires modem card option).



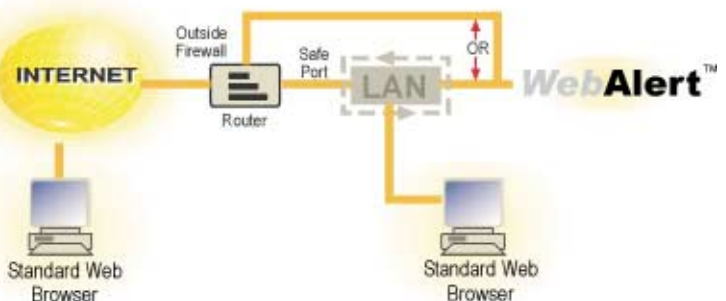
DirectTap Modem-to-Modem

For remote monitoring and reconfiguration of your **WebAlert™** using traditional modem-to-modem communications (requires modem card option).



Ethernet

For monitoring and reconfiguration of your **WebAlert™** via Local Area Network or remotely via the Internet.



Model Code

WA400-

Base Model



1



2



3



4

1 WIRING OPTIONS

- H** Hardwire, cable glands
- P** USA power cord w/cable glands

3 COMMUNICATIONS

- E** RS232 and Ethernet only
- B** RS232 and Ethernet plus Modem

2 AGENCY APPROVALS

- N** UL/CSA
- C** UL/CSA (and CE pending)

4 COMMUNICATIONS SOFTWARE

- N** None
- 1** Networking Master Capability

Specifications

Measurement Performance

4-20 mA Inputs

Range	3.75 - 20.25 mA
Resolution	0.03 mA
Calibration	±1 mA

Electrical

Inputs

Input power 100 - 120/220-240 VAC ±10%, 1.0A, 50/60 Hz Fuse 1.0 A, 5 x 20 mm

Input signals

Analog Inputs (6) 4-20 mA, 2-wire or 3-wire
Internally powered by 24 VDC, 110 ohm input resistance
1000 ohm maximum load
Group isolated. 200 kΩ, channel to channel isolation

Digital Inputs (2) Isolated dry contact (relay, reed switch or Hall Effect)
0 - 10 Hz, 50 msec minimum width

Water Meter Contactor Isolated dry contact (relay, reed switch or Hall Effect)
0 - 10 Hz, 50 msec minimum

Paddlewheel Water Meter Isolated dry contact (relay, reed switch or Hall Effect)
0 - 300 Hz, 2.0 msec minimum

Level Switch Isolated dry contact (relay, reed switch or Hall Effect)

Outputs

Solid State Relay Dry contact
0 to 40 VDC, NO AC VOLTAGE
150 mA maximum load

Digital RS232

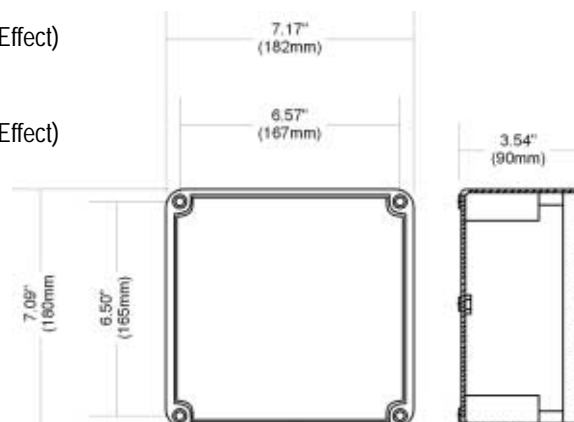
Mechanical

Enclosure

Material	Polycarbonate
NEMA Rating	NEMA 4X (IP 65)
Dimensions	18 cm x 22 cm x 9 cm (7" x 8.5" x 3.5")
Operating Ambient Temp	0 to 60°C (32 to 140°F)
Storage Temp	-29 to 80°C (-20 to 176°F)
Weight	2.95 kg (6.5 lb)

Agency Approvals

UL	3121-1
CSA	C22,2 No. 1010.1-97
CE Safety	EN 61010-1:2001
CE EMC	Pending



Walchem's **WebAlert™** is the first stand-alone remote monitoring device that will seamlessly web enable your installed equipment without having to replace or upgrade it. Your key system parameters (analog and digital) can now be monitored from any computer - anywhere in the world - with a standard web browser. **WebAlert™** has an embedded webserver allowing it to function as a website, thereby eliminating the need for proprietary software. All you need is a standard web browser. And, powered by Walchem's ShoulderTap® Technology, **WebAlert™** is only on-line when you need it... making it the world's first practical and secure industrial monitoring Internet solution.



The story behind **SHOULDER Tap**

1. User logs onto www.walchem.com and enters ShoulderTap® ID, password and controller phone number.



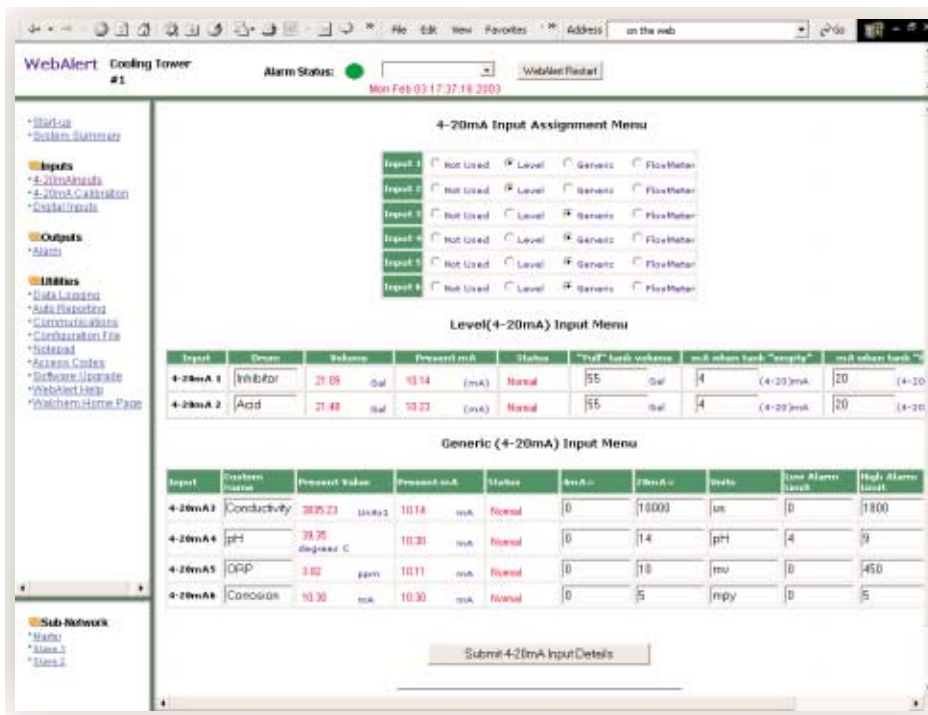
2. Walchem Server "ShoulderTaps" WebAlert.



3. WebAlert dials out to local Internet Service Provider and logs onto Internet.



4. User is seamlessly connected to the WebAlert where he enters 2nd ID and password for added security.



You have direct access to your live data. **WebAlert™** pulls your older equipment into the Internet Age with real-time online monitoring, datalogging, auto-reporting and auto-alarms. With the ability to monitor up to six (6) 4-20mA signals and two (2) discrete digital inputs, **WebAlert™** is designed for upgrading current control systems with remote communications and data acquisition technology. You decide where and when you need the information and **WebAlert™** makes it happen. **WebAlert™** is ideal in the following applications:

- Cooling Tower & Boiler Water
- Car Wash
- Wastewater Treatment
- RO/DI
- Level Monitoring
- Integration into Data Warehouses

And because **WebAlert™** is internet based, it supports simultaneous multi-user access.

Now you can monitor your data from several locations simultaneously. Password protected and safe, **WebAlert™** is ideal for remote

communications of unmanned field installations with Internet, Modem-to-Modem and Ethernet (WAN) access.

WebAlert™ also supports local RS232 and Ethernet (LAN) as well as remote communications.

For larger installations that require additional inputs, **WebAlert™** can be networked together with Ethernet, allowing access to several monitors from one phone line.



Receive alarms via cell phone text messaging.



Receive Datalogs, Alarms and Daily Summary Reports at up to four different email addresses.



Receive easy spreadsheet datalogs as an attachment to an email at user defined time periods.



www.iwakiwalchem.com

Iwaki Walchem Corporation

The Walchem Group

W A L C H E M

www.walchem.com

Walchem Corporation



www.terracontanks.com

Terracon Corporation

Walchem Corporation Five Boynton Road Hopping Brook Park Holliston, MA 01746 USA

info@walchem.com Telephone: 508-429-1110 Fax: 508-429-7433

180223.B July 2003