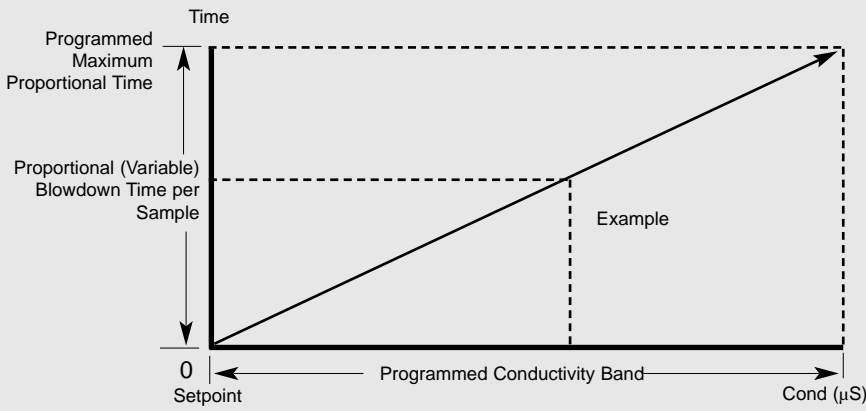


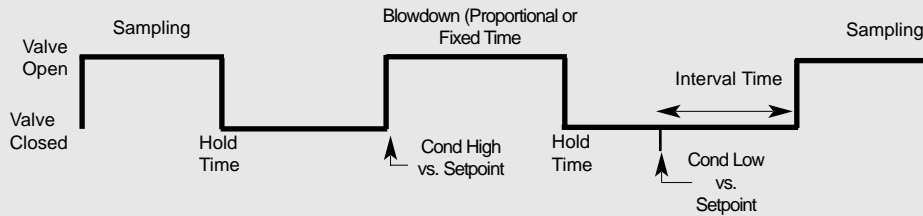
Time Proportional Control:



Walchem offers a unique time proportional control algorithm for timed (intermittent) sampling. This algorithm allows the controller to measure the conductivity of the boiler water sample with the control valve closed (which eliminates flashing problems). After getting an accurate reading of the conductivity, the controller performs a timed blowdown that will vary in its duration, extending the blowdown time as the conductivity moves further from the set point.

Specifications

Intermittent Sampling Sequence:



INPUTS

Power	115VAC ±15%	230VAC ±15%
	50/60 Hz, 60mA	50/60 HZ, 30mA
Signals	(Optional - WBL only) Flow meter- isolated, dry contact closure required (relay, reed switch)	

OUTPUTS

Mechanical relays	@ 115 VAC, 10A resistive, 1/8 HP @ 230 VAC, 6A resistive, 1/8 HP Internally powered w/line voltage
4-20mA (Optional)	Fully isolated, internally powered 600Ω max. resistive load. Resolution 0.001% of span, accuracy ± 1% of reading

MEASUREMENT PERFORMANCE

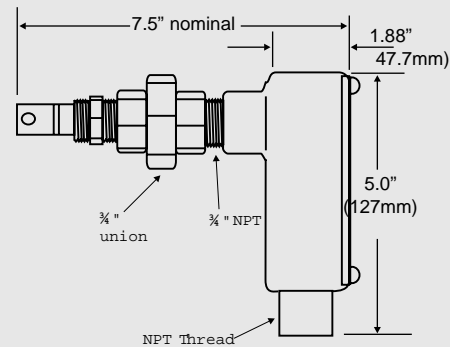
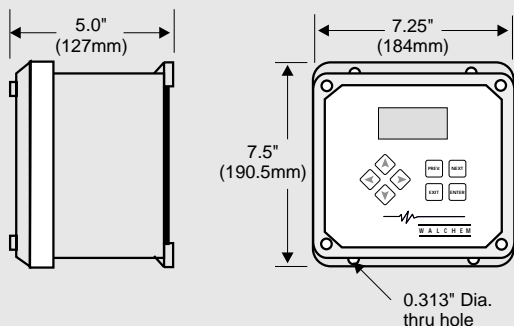
Conductivity Range	0-10,000 µS/cm
Resolution	1 µS
Accuracy	10-10,000 µS/cm ±1% of reading 0-10 µS/cm ±20% of reading
Temperature Range	32 to 392°F (0 to 200°C)
Resolution	0.1 degree
Accuracy	±1% of reading

MECHANICAL

Enclosure	Fiberglass
NEMA rating	NEMA 4X (IP65)
Display	2 x 16 character backlit liquid crystal
Ambient temperature	32 to 158°F (0 to 70°C)
Shipping weight	10 lbs (4.54 kg) (approximately)

Sensor Dimensions

Controller Dimensions



WBL3	<input type="checkbox"/>	0	-	<input type="checkbox"/>	<input type="checkbox"/>	<input type="checkbox"/>
	(Control)			(Voltage)	(Output)	(Sensor)
WCM300	-	<input type="checkbox"/>	<input type="checkbox"/>	<input type="checkbox"/>	<input type="checkbox"/>	<input type="checkbox"/>
		(Voltage)	(Output)	(Sensor)		

CONTROL

- 0 = Two powered relays, one Blowdown & one Feed/Alarm
- 1 = Five powered relays, one Blowdown & four Feed/Alarm

VOLTAGE

- 1 = 115 VAC, prewired
- 4 = 115 VAC, conduit
- 5 = 230 VAC, conduit

OUTPUT

- N = No data output
- 4 = Isolated 4-20 mA output

SENSOR

- N = No electrode
- 5 = Standard electrode (up to 250 psi)

AGENCY CERTIFICATIONS

- US: Product Safety: UL508
- Canada: Product Safety: CSA C22.2#142
- European Community:
- Product Safety: Low Voltage Directive(72/23/EEC)
- Performance: Electromagnetic Compatibility: EMC Directive(89/336/EEC)
- Note: For EN61000-4-3, the unit met performance criteria B.



WEBMASTER GENERAL INDUSTRIAL CONTROLLER



WEBMASTER COOLING TOWER AND BOILER CONTROLLER



METERING PUMPS AND ACCESSORIES



WEBALERT REMOTE MONITORING & DATALOGGING

Walchem designs and manufactures an integrated line of analytical control, sensing and feed devices.

Our in-house engineering is driven by quality, technology and innovation.

For more information on the entire Walchem product line, visit : www.walchem.com

WALCHEM

P/N 180160.C 9/9/03