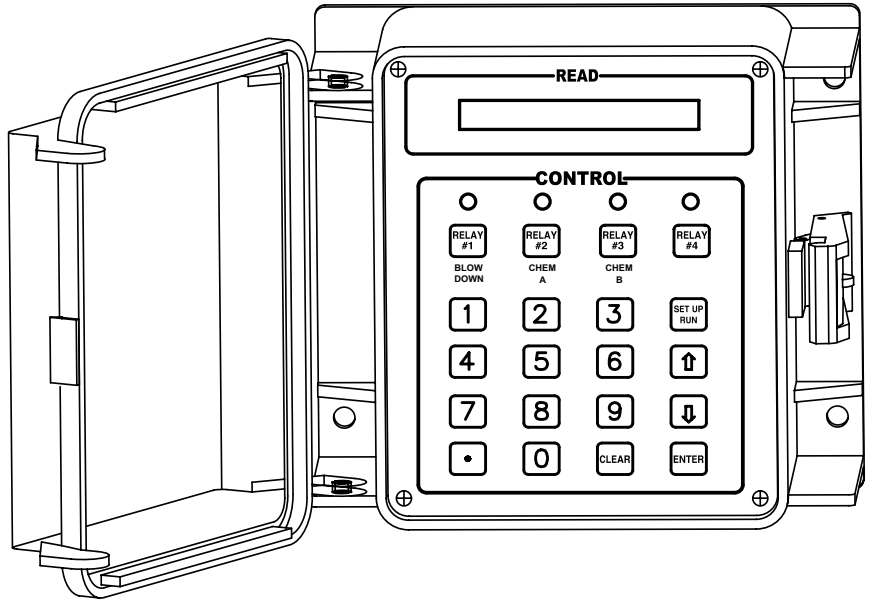


# MicroTron Boiler Controller

## Microprocessor Control of:

- Boiler Blowdown
- Condensate
- Chemical Feed



## Key Features

- 12 Bit Input Resolution
- Simple Step Through Menu
- One Point Calibration
- Raised Dome Keypads
- Relay Test Keys with L.E.D.
- Non-Volatile Memory
- No Battery Required
- User Defined Security Code
- 2 Year Warranty
- Remote Communication Option
- Expanded Set Up Parameters
- Selectable Sample Method

## Application

The MicroTron series of controllers provide a wide range of options and features for a custom tailored unit to meet your unique systems needs.

MicroTron boiler controllers can be configured with conductivity control of bleed or pH and conductivity of condensate. Selectable chemical feed timers are also available plus many more options and features.

The MicroTron series of controllers for recirculating water systems, such as boilers, offer the most flexibility in features and functions for the price.

## Base Functions

MicroTron boiler controllers use temperature compensated probe readings with high and low alarms for each probe based control function selected. Units have a maximum of 5 relay outputs.

Conductivity blowdown control is selectable between continuous, timed sample and sample and hold. All readings, settings, date/time and alarms are viewed in the display and changed via the menu and keypad.

MicroTron controller model numbers can be broken down as follows and will always start with an L.

- L** MicroTron controller with LCD display
- HC** Boiler conductivity control with temperature
- CC** Conductivity control of condensate
- P** pH control of condensate
- F** Single programmable feed timer
- F-2** Dual programmable feed timers
- F-3** Triple programmable feed timers

A controller can have only one conductivity reading. Standard boiler units are configured for conduit connections.

## Options

Your unit may be supplied with one or more options listed at the end of the model number (LHCF-2HJ). This list represents our most popular options. For a complete list of options, consult the factory.

- A-1** Prewired for Solenoid Valve Connection
- A-2** Prewired for Motorized Valve connections
- A-3** Prewired Incoming Power Only
- A-4** Prewired Feed Timer Outputs
- A-6** On/Off Power Switch
- C-1** 0-5V Non-Isolated Output (for Chart Recorder)
- C-4** Single 4-20 mA Non-Isolated Output
- C-6** Single Isolated 4-20 mA Output
- D** 220 V Service (Must be conduit unit)
- G** Serial Line Connection
- H** Serial Line Connection with Modem
- J** Remote Communications Software
- M** Alarm Relay
- M-1S** Sonic Alarm Buzzer with Silence Switch
- N** Non Standard Conductivity Scales
- Q** Alternate Electrodes
- W** Power Relay 1.5 HP Maximum, 25 Amps
- X** Tank Low Level Alarm with Level Wand(s)

## Specifications

### Electrical

- **Input:** 115 VAC, 50/60 Hz
- **Control:** 115 VAC, 3 Amp Relay

### Operational

- **Display:** LCD 1 X 16 backlit alphanumeric
- **Conductivity Control:** 0-10,000  $\mu$ S/cm scale
- **pH:** 0-14 scale
- **Accuracy:** +/- 1%
- **Feed Timers (Selectable):**
  - Pulse:** 99 min, 59 sec run time, 1-99 counts
  - % of Time:** 1-99 minute cycle, 1-99% on time
  - Feed with Blowdown:** Limit timer 0-99 min.
  - Post Feed Blowdown:** 1-99% of bleed cycle with 0-99.59 minute limit timer

### Enclosure

Heavy duty NEMA 4X type high impact thermoplastic with padlockable gasketed Lexan viewing door.

### Environment

Ambient temperature: 0° to 125°F (-17 to 52°C)  
Relative humidity: 0 to 100%

### Electrodes

- **Boiler:** BE-4BC 250 psi / 400°F Max
- **pH:** PE-21H 250 psi / 212°F Max
- **Condensate:** AH-4B 100 psi / 212°F Max

**Shipping Weight:** Approximately 8 lbs.

### Dimensions:

W 7" x H 16" x D 4.5" with lower inclosure  
W 7" x H 6.5" x D 4.5" Standard

